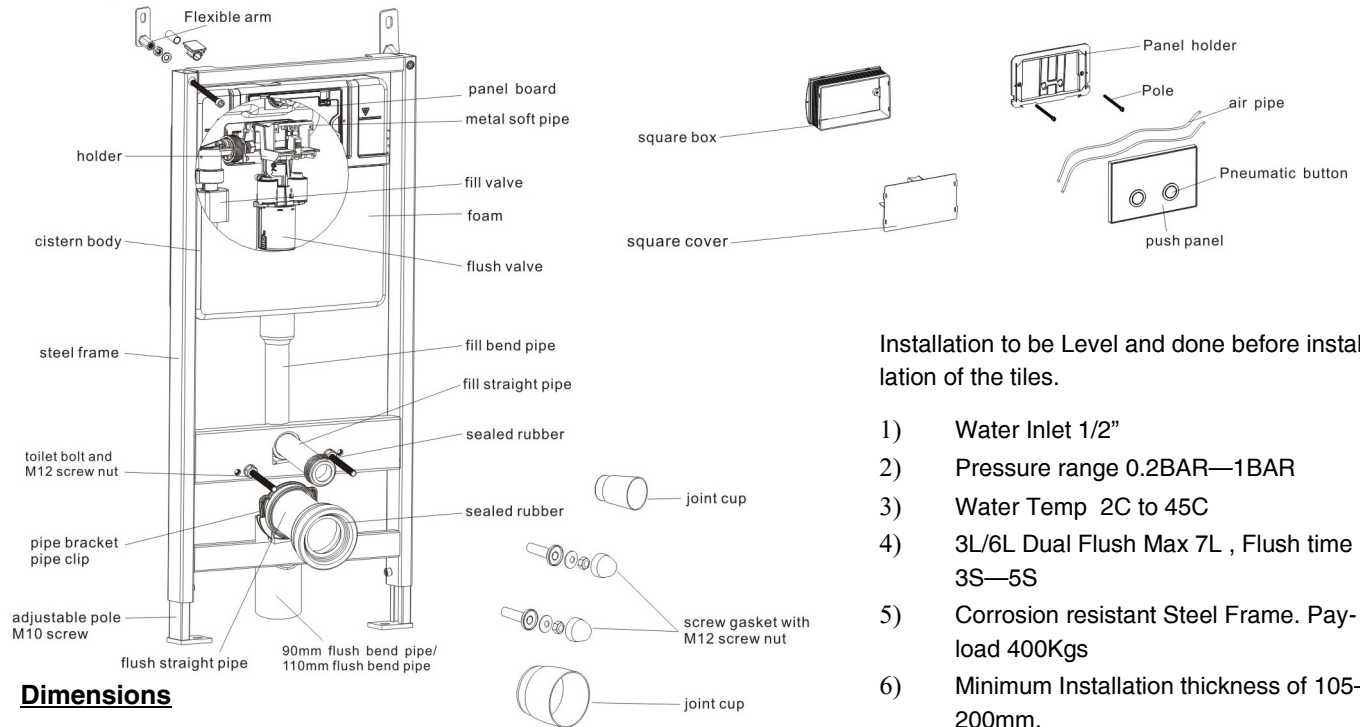




BPF201001 Specifications

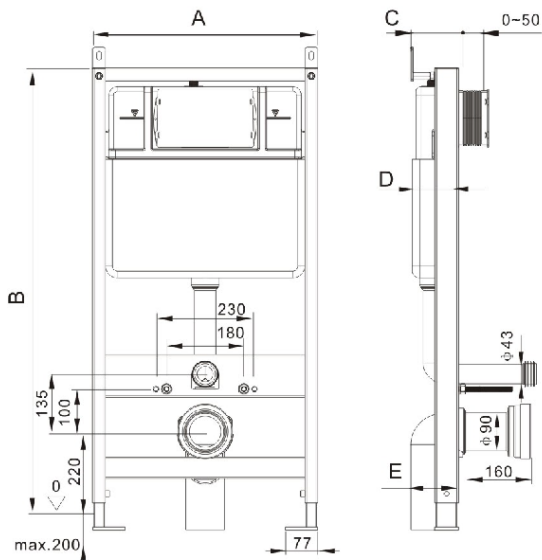
Fitting Chart



Installation to be Level and done before installation of the tiles.

- 1) Water Inlet 1/2"
- 2) Pressure range 0.2BAR—1BAR
- 3) Water Temp 2C to 45C
- 4) 3L/6L Dual Flush Max 7L , Flush time 3S—5S
- 5) Corrosion resistant Steel Frame. Payload 400Kgs
- 6) Minimum Installation thickness of 105—200mm.

Dimensions



BPF101001 Dimensions

- A = 512mm
- B = 1090mm
- C = 130mm — 220mm
- D = 132mm
- E = 110 DIA.

Installation Methods

